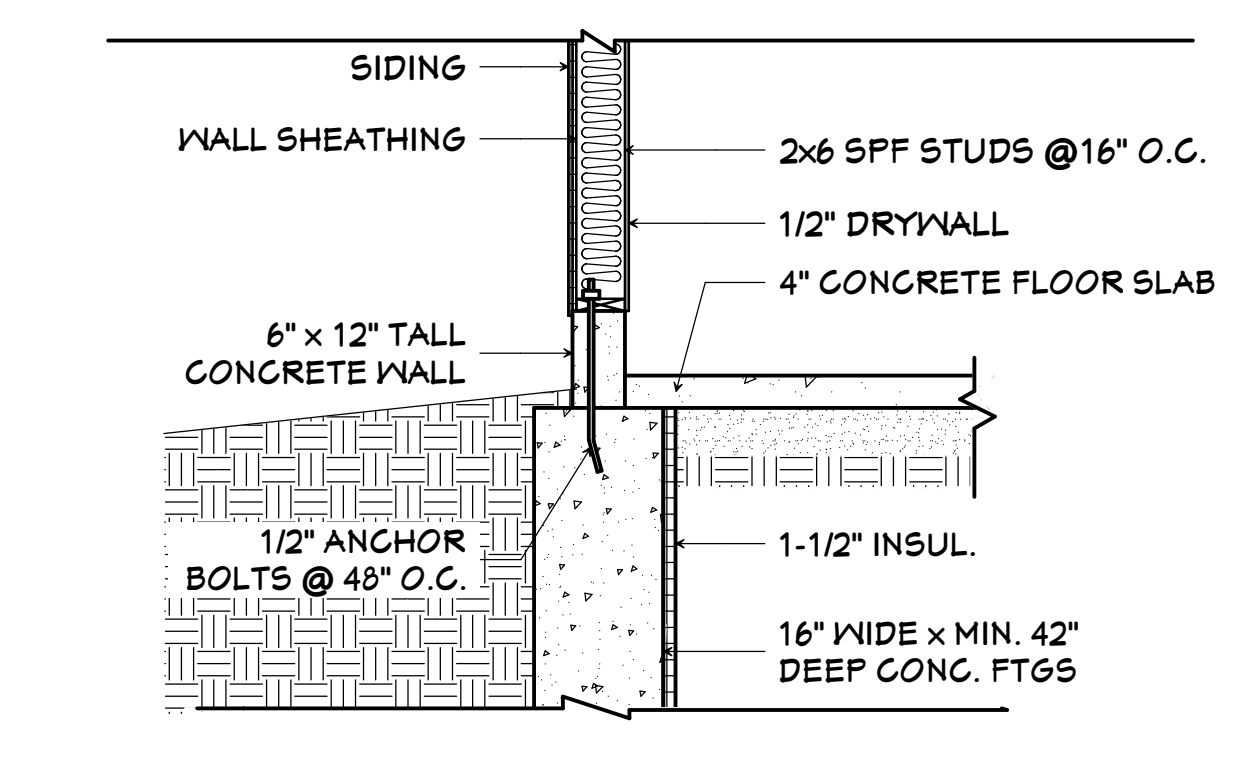
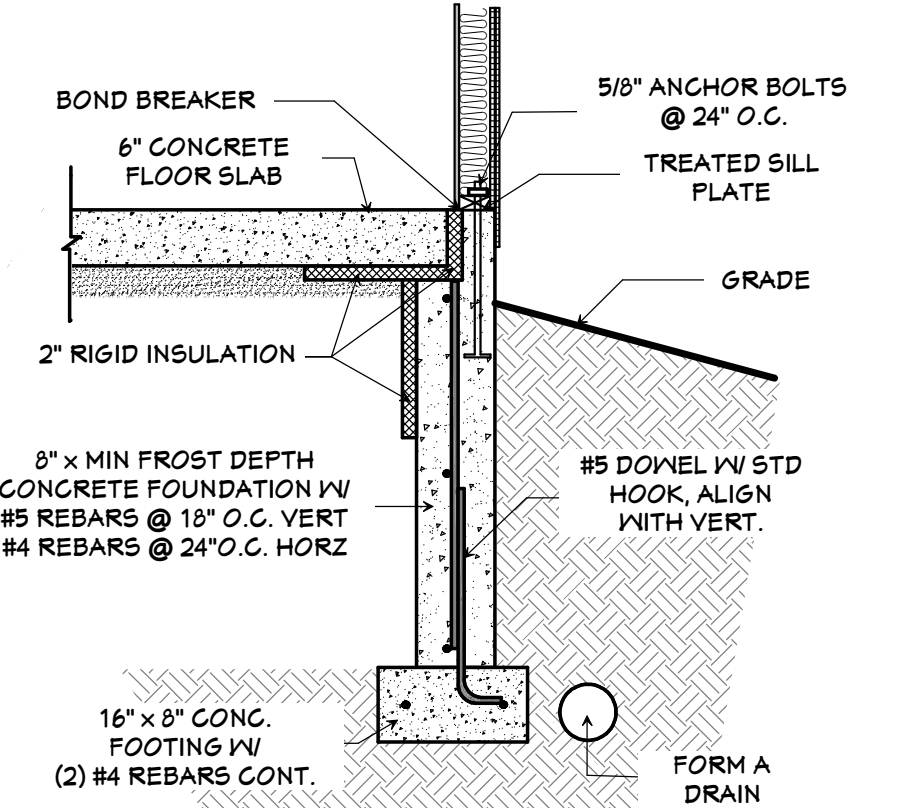


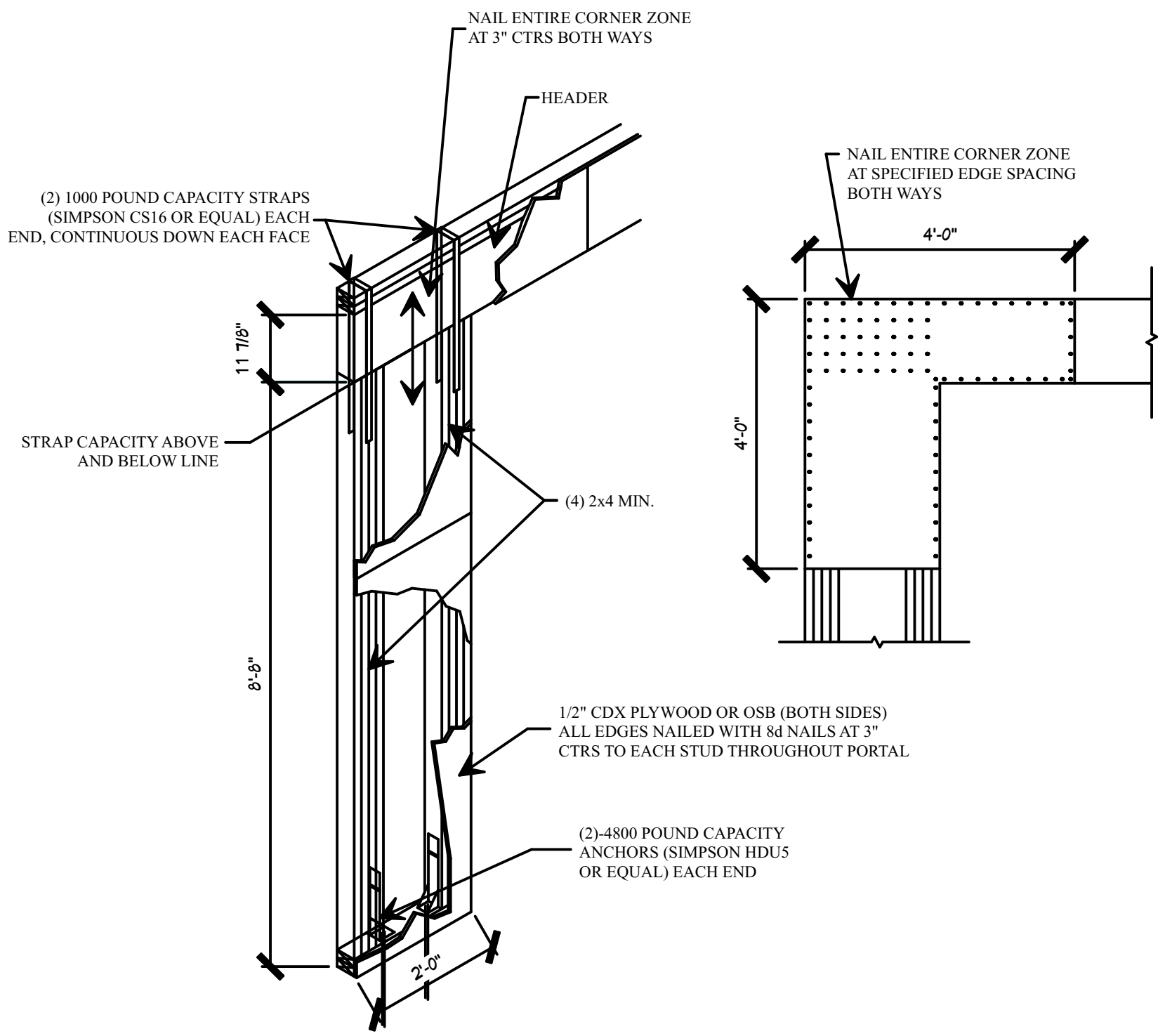
WALL SECTION
SCALE: 3/8" = 1'-0"



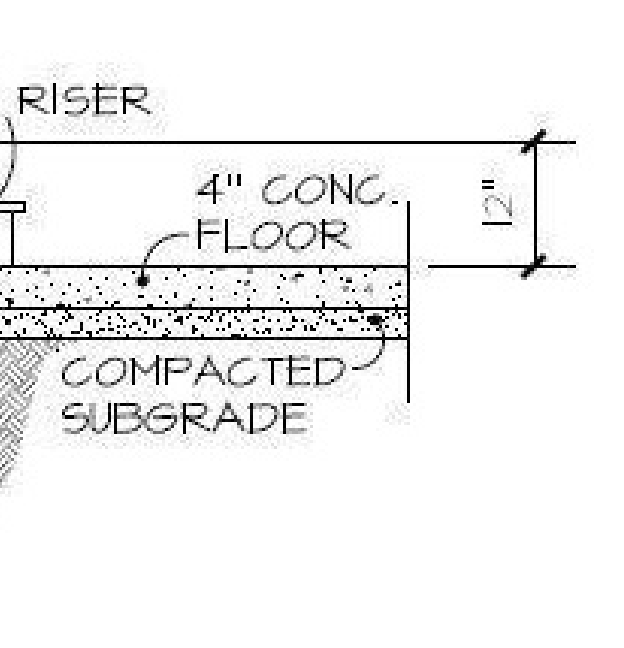
WALK-OUT FOOTING DETAIL
NO SCALE



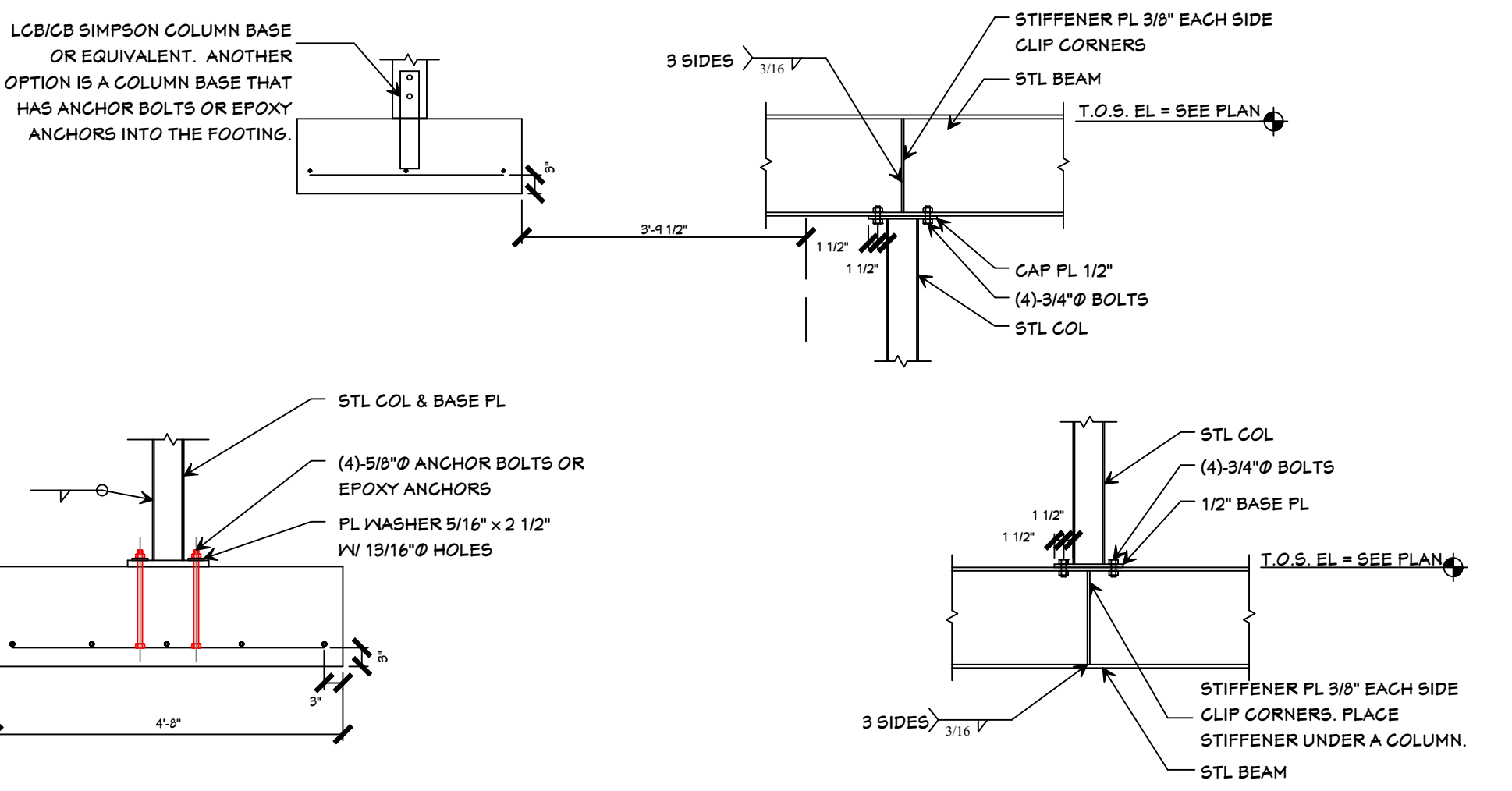
SLAB-ON GRADE DETAIL
NO SCALE



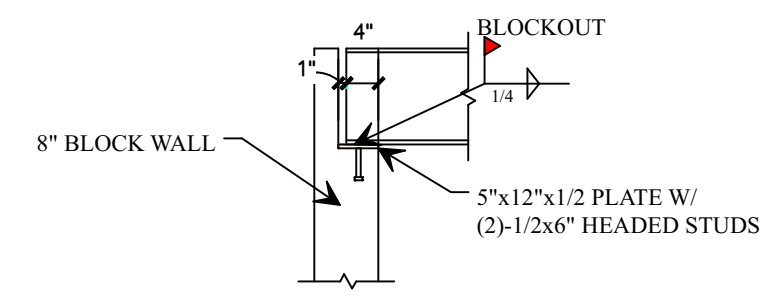
PORTAL FRAME DETAIL
SCALE: 1/2" = 1'-0"



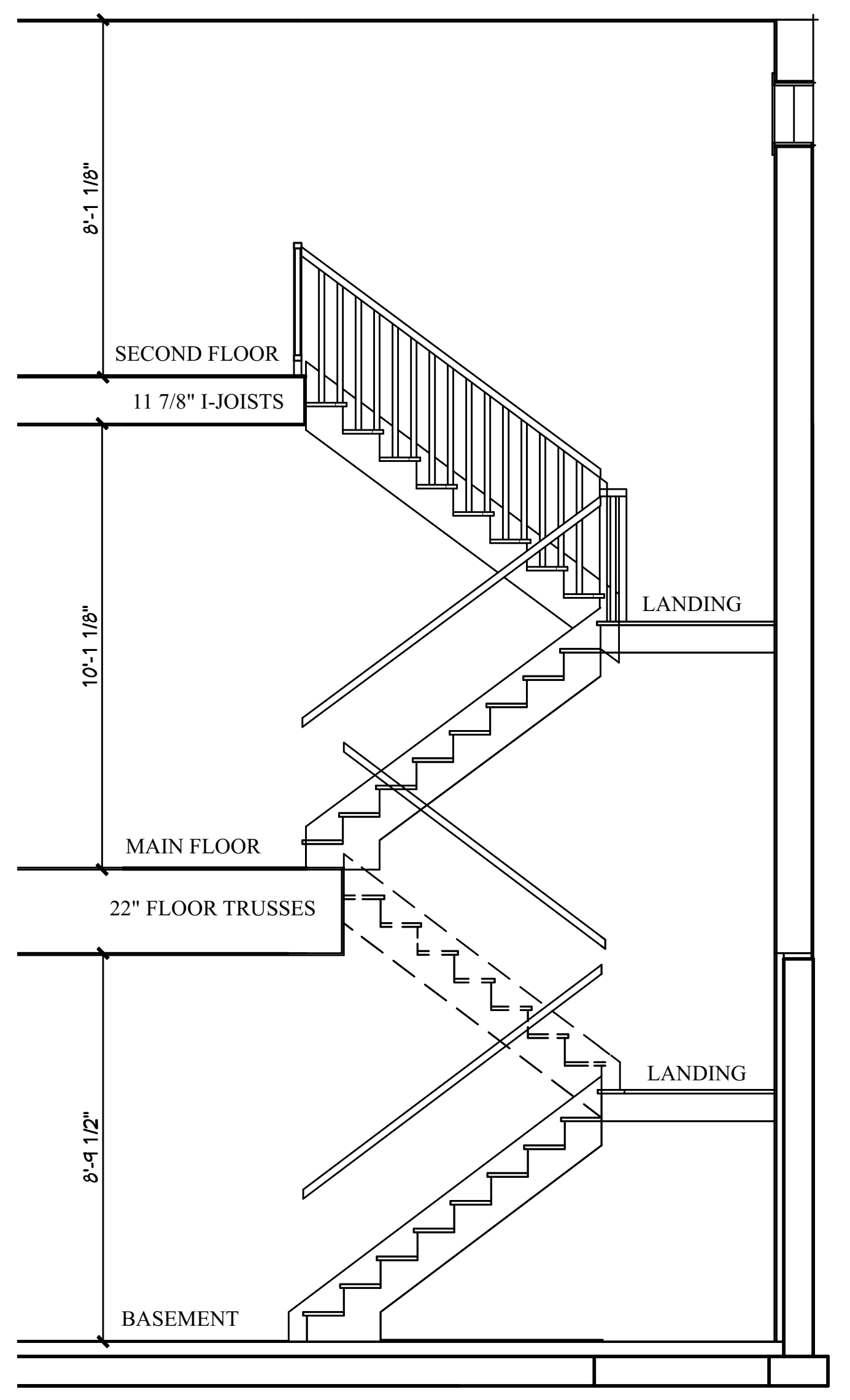
SUNKEN BAR DETAIL
NO SCALE



STEEL DETAILS



BEAM POCKET DETAIL



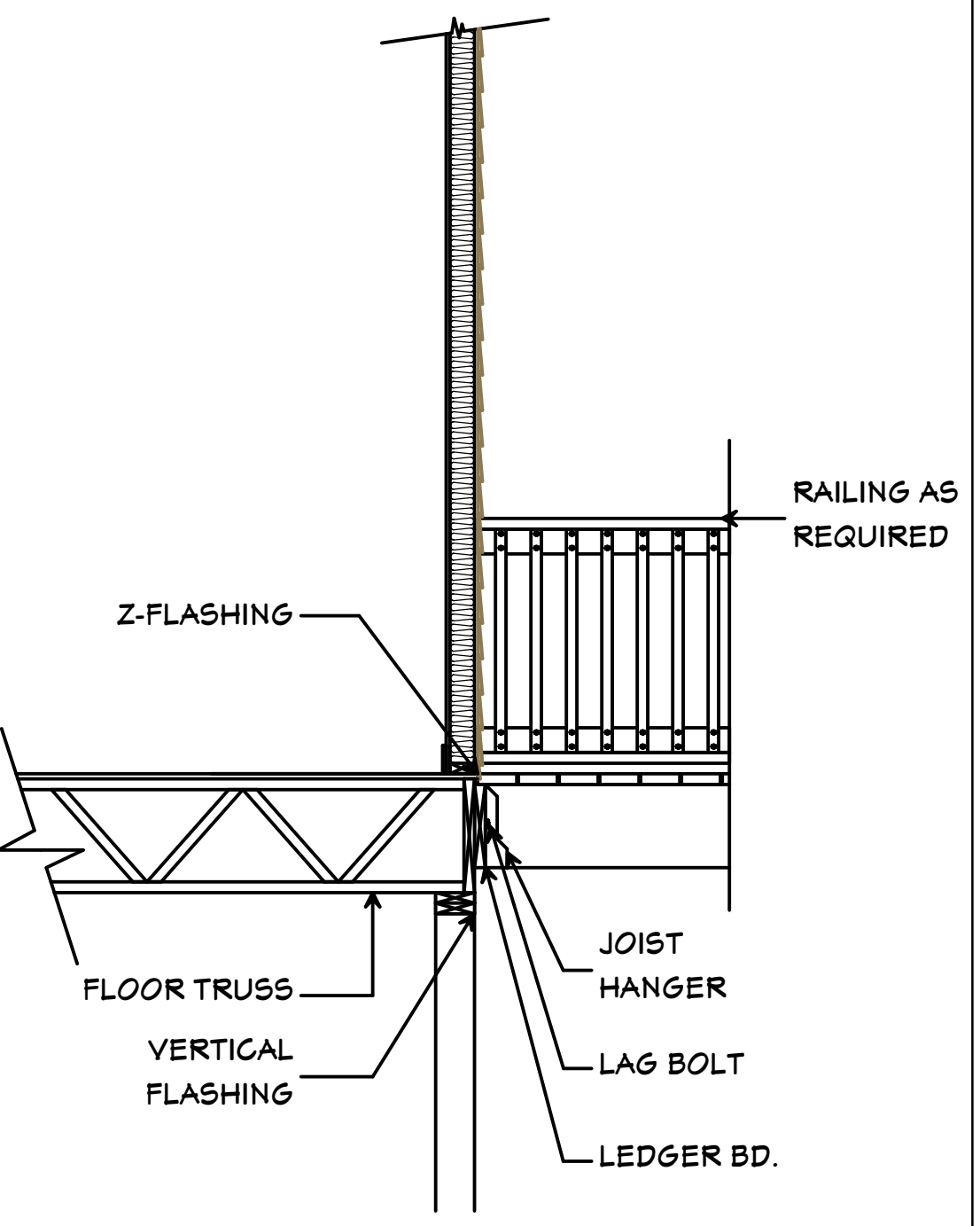
STAIR DETAIL
SCALE: 3/8" = 1'-0"

STAIR NOTES:

1. MINIMUM HEADROOM ON STAIRS WILL BE 6'-8" ABOVE THE LEADING EDGE OF ANY FINISHED TREAD.
2. HANDRAIL WILL BE A MIN. OF 36" AND A MAX. OF 36" ABOVE THE LEADING EDGE OF ANY TREAD.
3. HAND RAILS WILL BE A MIN. OF 1 1/4" AND A MAX. OF 1 1/2" IN DIAMETER.
4. HANDRAILS SHALL BE A MIN. OF 1 1/2" AWAY FROM THE WALL.
5. GUARDRAIL SHALL BE 36" HIGH MIN.
6. 3/4" MIN. NOSING AND MAX. 1"
7. 4" MAX SPACING ON BALUSTERS IN ANY DIRECTION.

DECK NOTES:

1. GUARDRAIL SHALL BE 36" HIGH MIN.
2. PLACE BALUSTERS AT 4" O.C. MIN.
3. 1/2" X 5 1/2" LAG BOLTS WITH WASHERS @ 12" O.C. STAGGERED AT LEAST 2" IN FROM THE BOTTOM AND TOP OF THE LEDGE AND AT LEAST 2" IN FROM THE ENDS.
4. HOLD DOWN TENSIONS DEVICES SHALL BE INSTALLED IN NOT LESS THEN TWO LOCATIONS PER DECK.
5. HOLD DOWN TENSION DEVICES SHALL NOT BE REQUIRED WHEN A 2X4 DIAGONAL BRACE IS INSTALLED ON THE UNDERSIDE OF THE FLOOR JOIST, TYING ALL JOISTS TOGETHER INCLUDING THE LEDGER.
6. CAN NOT ATTACH TO CANTILEVER



DECK DETAIL
SCALE: 1/2" = 1'-0"

| NUMBER | DATE | REVISION TABLE | DESCRIPTION |
|--------|------|----------------|-------------|
| | | | |
| | | | |
| | | | |
| | | | |

THIS DRAWING IS THE PROPERTY OF VIRTUACTIVE, LLC. IT IS TO BE USED ONLY FOR THE PROJECT AND SITE SPECIFICALLY IDENTIFIED HEREON. WITHOUT THE WRITTEN PERMISSION OF VIRTUACTIVE, LLC, NO PART OF THIS DRAWING IS TO BE REPRODUCED OR TRANSMITTED IN ANY FORM OR BY ANY MEANS, ELECTRONIC OR MECHANICAL, INCLUDING PHOTOCOPYING, RECORDING, OR BY ANY INFORMATION STORAGE AND RETRIEVAL SYSTEM. THE CONTRACTOR, SUB-CRACKERS, SUPPLIERS, AND/OR HOMEOWNERS SHALL VERIFY ALL DIMENSIONS AND CONDITIONS OF THE PROJECT PRIOR TO CONSTRUCTION AND BE RESPONSIBLE FOR ANY DISCREPANCIES. VIRTUACTIVE, LLC AND ITS DESIGNERS, ENGINEERS, ARCHITECTS, AND/OR CONSULTANTS ARE NOT RESPONSIBLE FOR ANY DAMAGE, LOSS, OR INJURY TO PERSONS OR PROPERTY, INCLUDING REAL ESTATE, ARISING FROM THE USE OF THIS DRAWING. THE CONTRACTOR SHALL BE RESPONSIBLE FOR OBTAINING ALL NECESSARY PERMITS AND APPROVALS FROM THE APPROPRIATE AGENCIES. VIRTUACTIVE, LLC AND ITS DESIGNERS, ENGINEERS, ARCHITECTS, AND/OR CONSULTANTS SHALL BE VERIFIED BY THE CONTRACTOR, SUB-CRACKERS, SUPPLIERS, AND/OR HOMEOWNERS.

PROJECT LOCATION:
PREPARED FOR:

VIRTUACTIVE
VirtuActive - 3D Drafting & Design
331 Village Pointe Plaza, Suite 303, Omaha, NE 68118
www.virtuactive.com | 402.379.8100
Designed by: Tony Elia | Tony@virtuactive.com

DATE:
SHEET:
9 OF 10